

Supply pressure compensator, direct operated

RE 29231/09.11

1/6

Type ZDC

Size 6
Component series 1X
Maximum operating pressure 250 bar
Maximum flow 35 l/min



H7870

Table of contents

Contents

Features
Ordering code
Function, section
Technical data
Characteristic curves
Unit dimensions

Features

Page	
	– Sandwich plate valve
1	– Porting pattern according to DIN 24340 form A
2	– Load compensation in channel P → A or P → B by installed shuttle valve
3	
4	– 2-way version "P"
5	– Flow control in case of interaction with proportional directional valve
6	

Information on available spare parts:
www.boschrexroth.com/spc

Ordering code

Z	DC	6	X	P-1X/	M	*
---	----	---	---	-------	---	---

Sandwich plate valve
 Supply pressure compensator
 Size 6 = 6
 Porting pattern according to DIN 24340 form A = X
 Load compensation in channel P = P
 Load compensation in channel A = A
 Component series 10 to 19 = 1X
 (10 to 19: Unchanged installation and connection dimensions)

Further details in the plain text
No code = No special version
 Possible special versions see below

Seal material
 M = NBR seals
 (other seals upon request)
 Attention!
 Observe compatibility of seals with hydraulic fluid used!

Pressure differential
 8 = 8 bar
 14 = 14 bar
 25 = 25 bar

Preferred types and standard units are contained in the EPS (standard price list).

Symbols (① = component side, ② = plate side)	Ordering code			Material no.
	Load compensation in channel	Pressure differential	Special version	
	P	8	-	0811401200
	P	14	-	0811401208
	P	25	-291 Special setting with directional valve type 4WRPE ¹⁾ ; flow Δp 100 bar > 33 l/min	R901140492
	P	8	-287 Closed-loop control in P component-side; supply optionally A or P; pilot pressure from B	0811401201
	A	8	-292 Flow in A; pilot pressure from T	0811401202

¹⁾ Material no. 0811404618

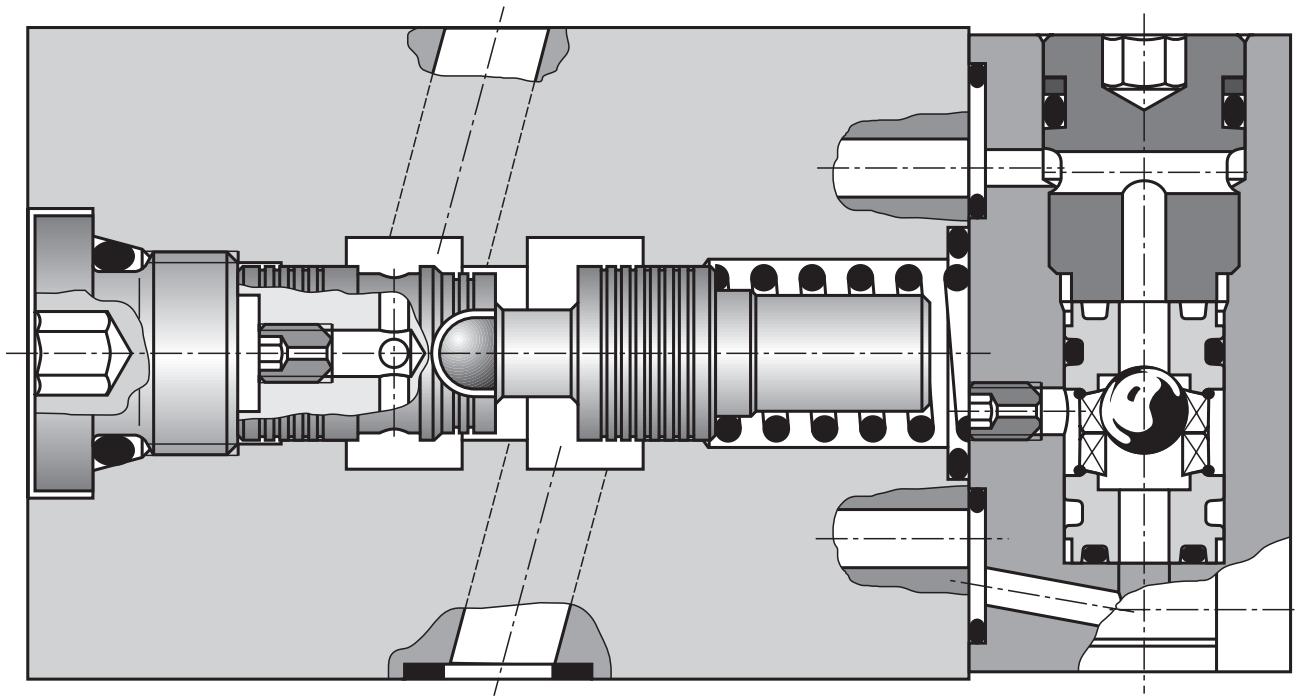
Function, section

Valves of type ZDC are direct operated supply pressure compensators in 2-way design.

As with all throttle cross-sections, the flow of proportional throttle valves and directional valves depends on the pressure differential Δp .

The effect of a load-compensated, electrical flow control valve results from the combination of throttle valve (measurement throttle) and pressure compensator which keeps the pressure differential Δp at the measurement throttle constant. The pressure differential is determined by the pressure compensator spring and depending on the select design ranges between 8 and 25 bar

The combination of a proportional directional valve with a pressure compensator results in the effect of a flow control valve for 2 directions. The changing load pressure is to be scanned via a shuttle valve. If pulling loads result during deceleration of mass, backpressure valves are to be provided.




Technical data (For applications outside these parameters, please consult us!)**general**

Weight	kg	1.5
Installation position		Any

hydraulic

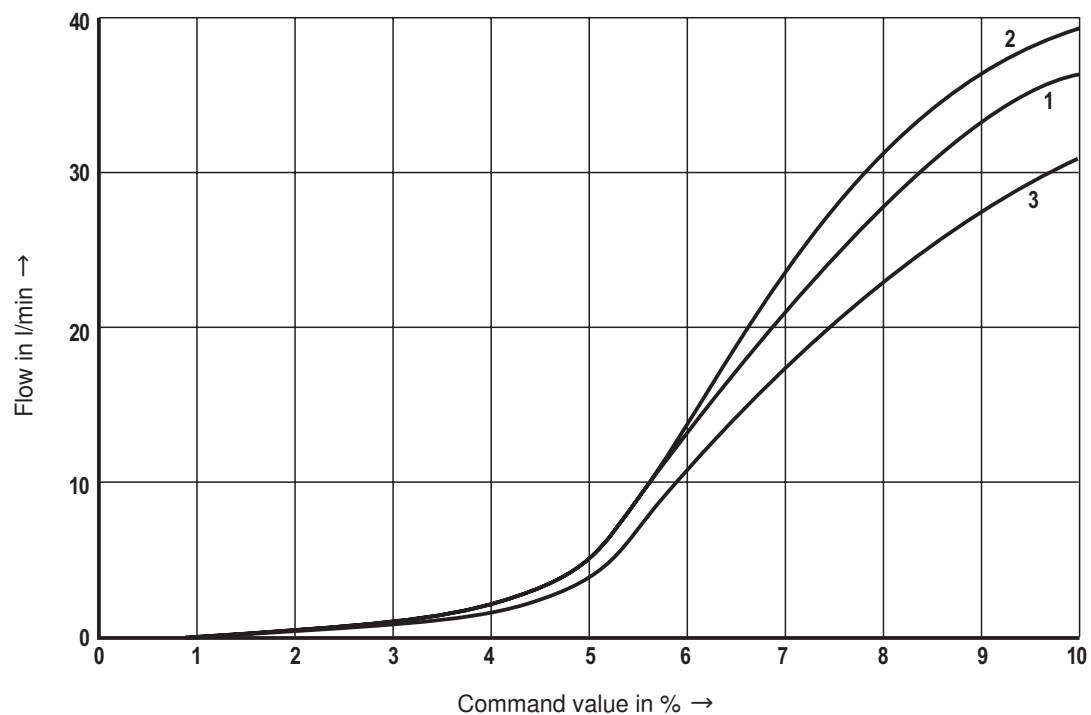
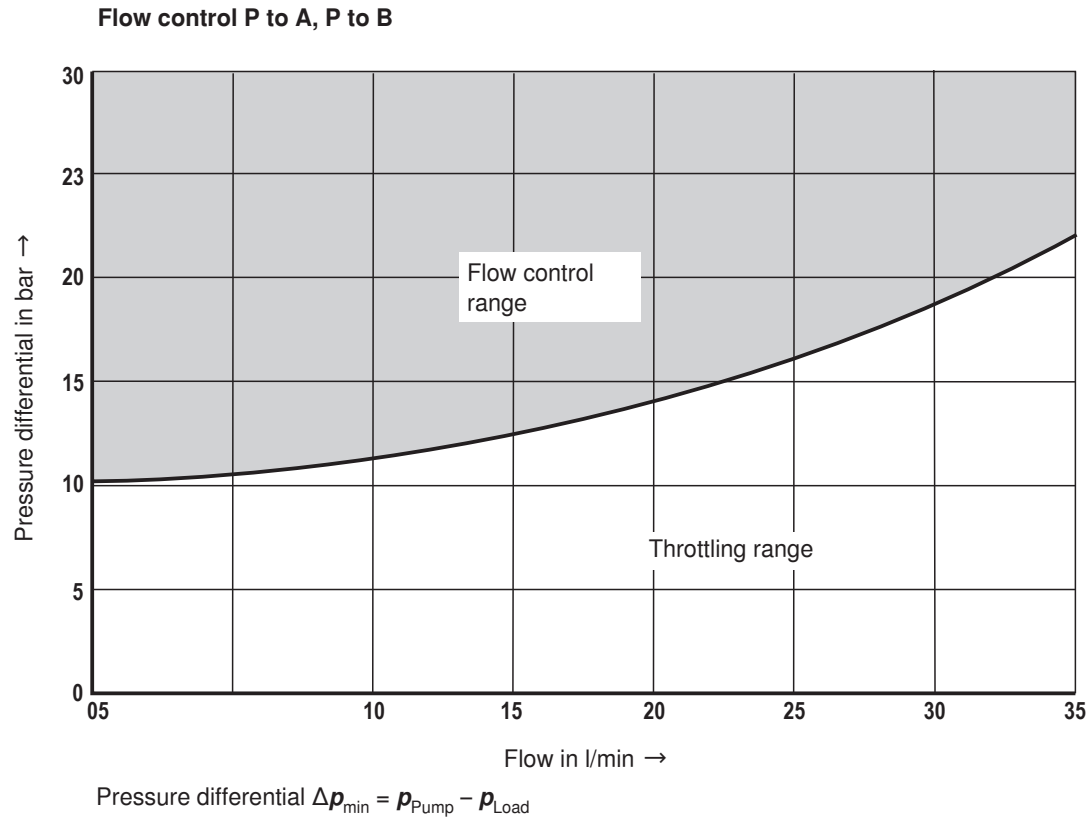
Maximum operating pressure	bar	250
Maximum flow	l/min	35 (depending on the pressure differential)
Hydraulic fluid		See table below
Hydraulic fluid temperature range	°C	-20 to +70
Viscosity range	mm ² /s	15 to 380
Maximum permitted degree of contamination of the hydraulic fluid - cleanliness class according to ISO 4406 (c)		Class 20/18/15 ¹⁾

Hydraulic fluid	Classification	Suitable sealing materials	Standards
Mineral oils and related hydrocarbons	HL, HLP, HLPD, HVLP, HVLDP	NBR	DIN 51524
 Important Information on hydraulic fluids! – For more information and data on the use of other hydraulic fluids refer to data sheet 90220 or contact us!		– There may be limitations regarding the technical valve data (temperature, pressure range, service life, maintenance intervals, etc.)!	

¹⁾ The cleanliness classes specified for the components must be adhered to in hydraulic systems. Effective filtration prevents faults and at the same time increases the service life of the components.

For selecting the filters, see www.boschrexroth.com/filter.

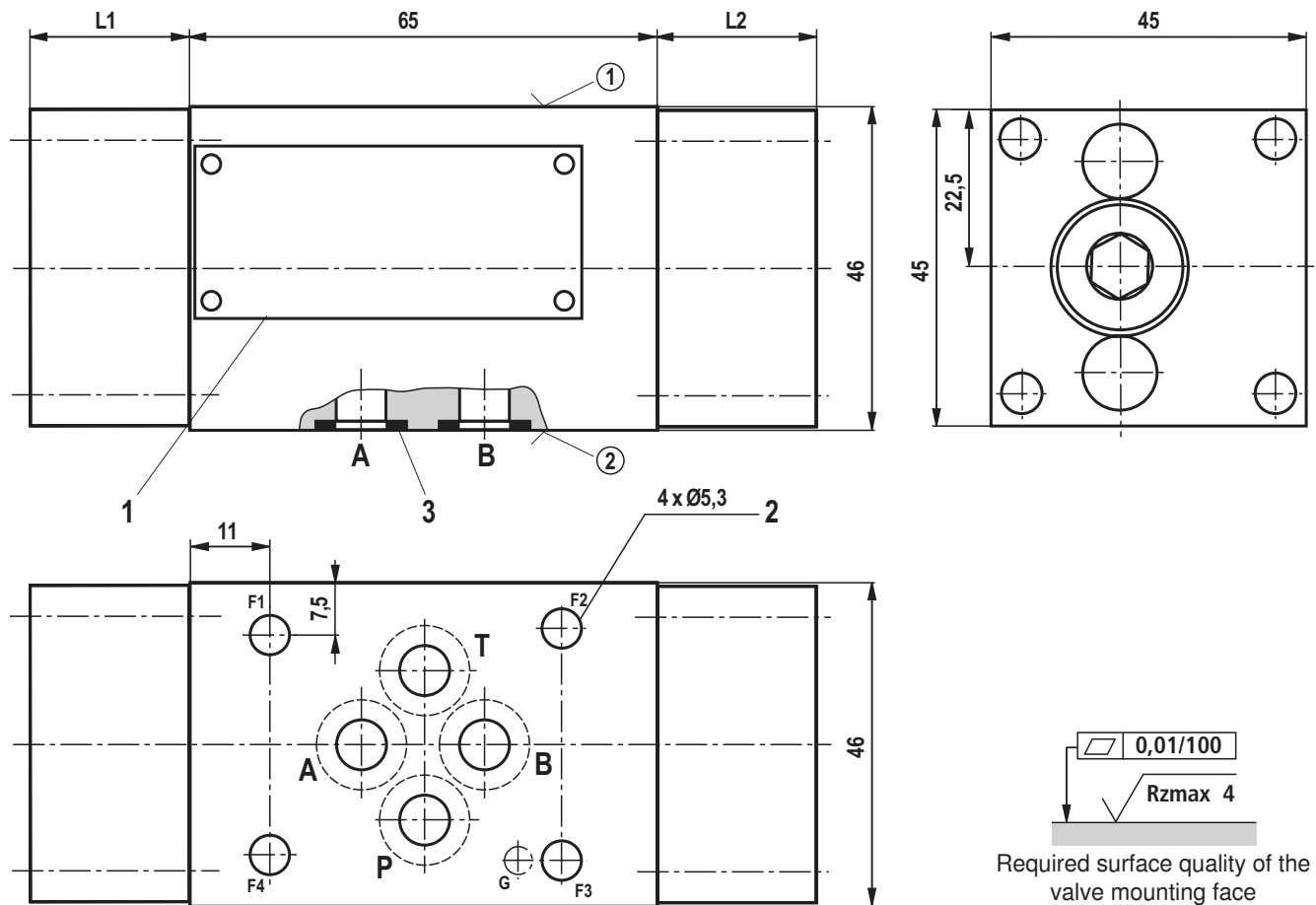
Characteristic curves (measured with HLP46 and $\vartheta_{oil} = 40 \text{ °C} \pm 5 \text{ °C}$)



Characteristic curves measured with directional control valve type 4WRPE 6 ...

- 1 Version "8M"
- 2 Version "14M"
- 3 Version "25M-291"

Unit dimensions (dimensions in mm)



① Component side – porting pattern according to DIN 24340 form A

② Plate side – porting pattern according to DIN 24340 form A

1 Name plate

2 Valve mounting bores

3 Identical seal rings for ports A, B, P, T

Valve mounting screws (separate order)

4 hexagon socket head cap screws ISO 4762 - M5 - 10.9

Notice!

Length and tightening torque of the valve mounting screws must be calculated according to the components mounted under and over the sandwich plate valve.

Notes

Bosch Rexroth AG
Hydraulics
Zum Eisengießer 1
97816 Lohr am Main, Germany
Phone +49 (0) 93 52 / 18-0
Fax +49 (0) 93 52 / 18-23 58
documentation@boschrexroth.de
www.boschrexroth.de

© This document, as well as the data, specifications and other information set forth in it, are the exclusive property of Bosch Rexroth AG. It may not be reproduced or given to third parties without its consent. The data specified above only serve to describe the product. No statements concerning a certain condition or suitability for a certain application can be derived from our information. The information given does not release the user from the obligation of own judgment and verification. It must be remembered that our products are subject to a natural process of wear and aging.

Notes

Bosch Rexroth AG
Hydraulics
Zum Eisengießer 1
97816 Lohr am Main, Germany
Phone +49 (0) 93 52 / 18-0
Fax +49 (0) 93 52 / 18-23 58
documentation@boschrexroth.de
www.boschrexroth.de

© This document, as well as the data, specifications and other information set forth in it, are the exclusive property of Bosch Rexroth AG. It may not be reproduced or given to third parties without its consent. The data specified above only serve to describe the product. No statements concerning a certain condition or suitability for a certain application can be derived from our information. The information given does not release the user from the obligation of own judgment and verification. It must be remembered that our products are subject to a natural process of wear and aging.