

Model DA-05 DIN

Rail Mount In-Line Amplifier



DESCRIPTION

These in-line amplifiers feature DIN-rail mount enclosures with front accessible electrical connections and adjustments. Amplifiers are available for strain-gage transducers.

FEATURES

- DIN rail mount
- Strain gage transducer input
- Bridge-based transducer input
- 4 mA to 20 mA three-wire output
- 13 Vdc to 28 Vdc power supply
- 3 Vdc or 5 Vdc excitation
- RFI, ESD protected
- CE approved

Model DA-05 DIN

PERFORMANCE SPECIFICATIONS

Characteristic	Measure
Number of channels	1
Case material	Plastic
Mounting	35 mm DIN
Certification	CE approved

ENVIRONMENTAL SPECIFICATIONS

Characteristic	Measure
Temperature, operating	-29 °C to 82 °C [-20 °F to 180 °F]
Temperature, storage	-40 °C to 93 °C [-40 °F to 200 °F]

TRANSDUCER INTERFACE

Characteristic	Measure
Transducer type	Bridge-based sensor
Transducer excitation	3 Vdc or 5 Vdc @ 30 mA (short circuit protection)

AMPLIFIER CHARACTERISTICS

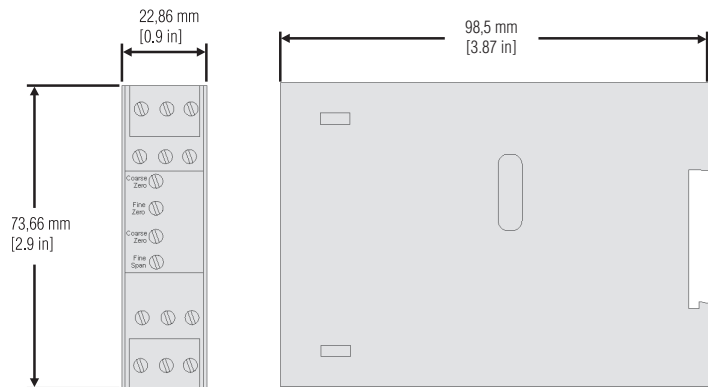
Characteristic	Measure
Supply voltage	13.5 Vdc to 28 Vdc
Current draw	60 mA
Zero adjustment range, coarse	±60 %
Zero adjustment range, fine	±10 %
Span adjustment range	Switch selectable 0.5 mV/V to 13.3 mV/V
Span adjustment range, fine	±20 %
Linearity	±0.01 %
Output	4 mA to 20 mA three-wire
Frequency response (-3 db)	dc 6200 Hz with 350 ohm bridge dc 2300 Hz with 5000 ohm bridge
Rise time (0 % to 90 %)	63 μs with 350 ohm bridge 160 μs with 5000 ohm bridge
Signal-to-noise ratio	70 db
dc power supply rejection ratio	90 db

Not RoHS compliant

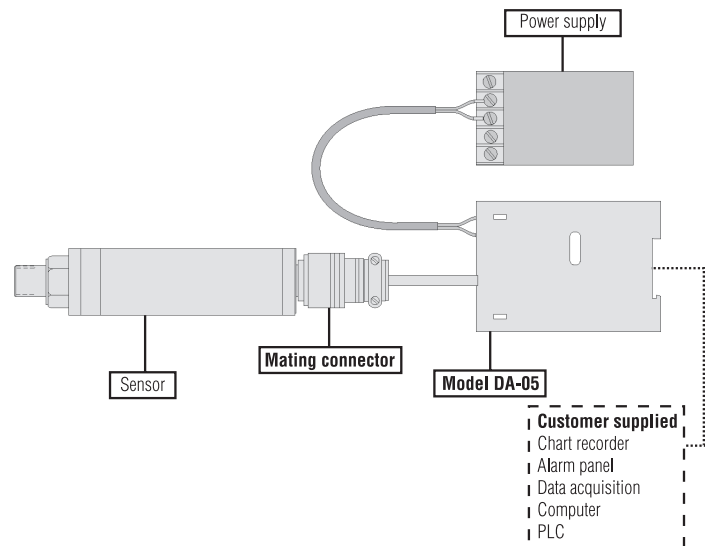
OPTION CODES

2-pole filter option	Many range/option combinations are available in our quick-ship and fast-track manufacture programs. Please see http://sensing.honeywell.com/TMsensor-ship for updated listings.	
58e, 2-pole filter setting	1 Hz	100 Hz
	3 Hz	300 Hz
	5 Hz	500 Hz
	10 Hz	1000 Hz
	20 Hz	6200 Hz (350 ohm bridge)
	30 Hz	2300 Hz (5000 ohm bridge)
	50 Hz	

MOUNTING DIMENSIONS AND CHARACTERISTICS



TYPICAL SYSTEM DIAGRAM



Warranty. Honeywell warrants goods of its manufacture as being free of defective materials and faulty workmanship. Honeywell's standard product warranty applies unless agreed to otherwise by Honeywell in writing; please refer to your order acknowledgement or consult your local sales office for specific warranty details. If warranted goods are returned to Honeywell during the period of coverage, Honeywell will repair or replace, at its option, without charge those items it finds defective. **The foregoing is buyer's sole remedy and is in lieu of all warranties, expressed or implied, including those of merchantability and fitness for a particular purpose. In no event shall Honeywell be liable for consequential, special, or indirect damages.**

While we provide application assistance personally, through our literature and the Honeywell web site, it is up to the customer to determine the suitability of the product in the application.

Specifications may change without notice. The information we supply is believed to be accurate and reliable as of this printing. However, we assume no responsibility for its use.

For more information about Sensing and Control products, visit www.honeywell.com/sensing or call +1-815-235-6847
Email inquiries to info.sc@honeywell.com

⚠ WARNING
PERSONAL INJURY

- DO NOT USE these products as safety or emergency stop devices or in any other application where failure of the product could result in personal injury.

Failure to comply with these instructions could result in death or serious injury.

⚠ WARNING
MISUSE OF DOCUMENTATION

- The information presented in this catalogue is for reference only. DO NOT USE this document as product installation information.
- Complete installation, operation and maintenance information is provided in the instructions supplied with each product.

Failure to comply with these instructions could result in death or serious injury.